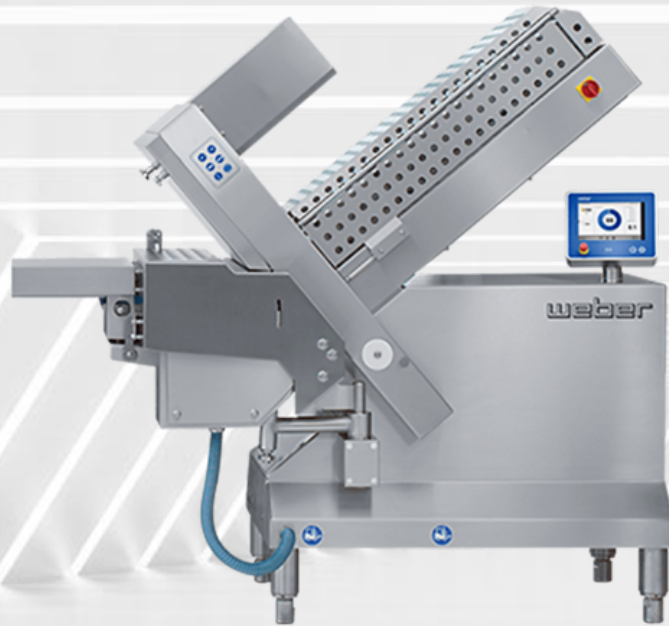


Slicer 305 CCL



Product details

This configuration includes:

- Slicer 305
- Conveyor system

View online



Advantages



Circular blade



Weber Hygiene Design



Quick set-up time



Interleaver



Manual loading

Slicer 305 CCL

The Weber Slicer 305 is the entry-level model for high-tech slicing technology. It is easy to operate, it is simple to change products, and both slicing edge and slicing stop can be adjusted to the product width. The Weber hygienic design ensures that the system is easy to clean.

NEW:

wePACK 7000 - Optimized software for the integration of infeeding systems

SmartLoader - New optimized software and improved synchronization to the packaging machine

Presentation



Stacked



Staggered Stack



stacked-with-interleave



Shingled-stack



Shingled



Shingled-with-interleave



Multi-shingled



Endless-shingled



Pieces



Shaved



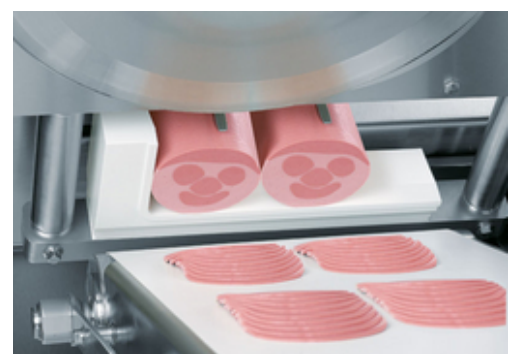
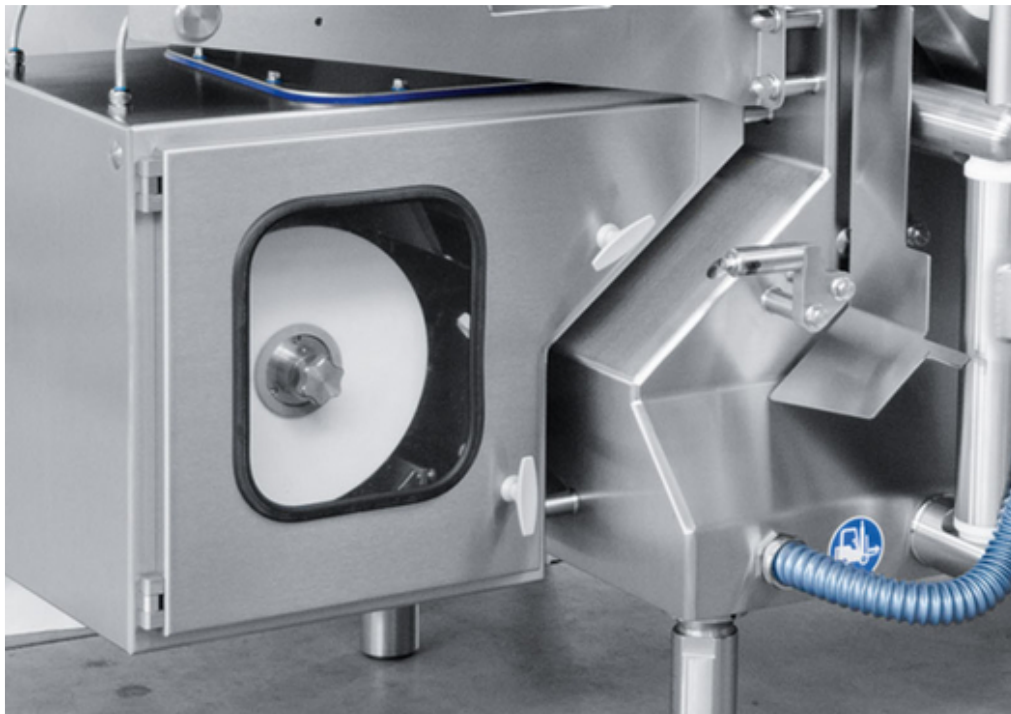
Folded



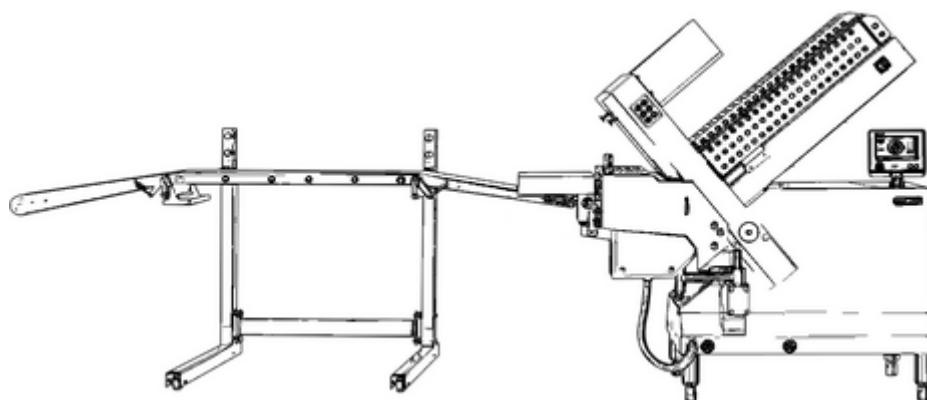
Overlapped -
single/mixed



Multiple-overlaps -
single/mixed



Technical Data Slicer 305 CCL



Height (mm)	2050
Width (mm)	960
Length (mm)	4105
Slicing speed (rpm)	maks. 400
Product throat height (mm)	125/135/150
Product throat width (mm)	250
Product length (mm)	1000
Slicing system	Nóż okrągły
Slicing thickness (mm)	0,1-50
Loading (automatic/manual)	manualny

This document was generated automatically on 03/30/2023. All information is non-binding. We reserve the right to make changes in the interest of technical progress. For the latest information on this product, please visit:

<https://www.weberweb.com/portfolio/slicer/slicer-305/>

Weber means: service across the board.



Weber Academy.

Maximize line performance through professional training courses.

At the Weber Headquarter in Breidenbach, Germany, we have our own training center, the Weber Academy. Being a provider of complete line solutions, we offer training courses for your Weber Line, tailored precisely to your needs. In doing so, our focus is always on increasing efficiency and optimizing profit in your company.



Weber Guardian.

A safe plan for your production.

Only those who listen can understand. And those who understand can act. With our Weber Guardian program, we harmonize people, machines, and processes to get the most out of production. From preventive maintenance and inspection through targeted personnel development to production support and optimization.



Weber Portal.

Networked thinking, handling together.

You will find everything about your Weber equipment bundled in your personal Weber Portal. Compact, individual and interactive. From your customer profile and that of your machines to e-learning on your setup as well as convenient spare parts ordering and service offers. Are you already registered?