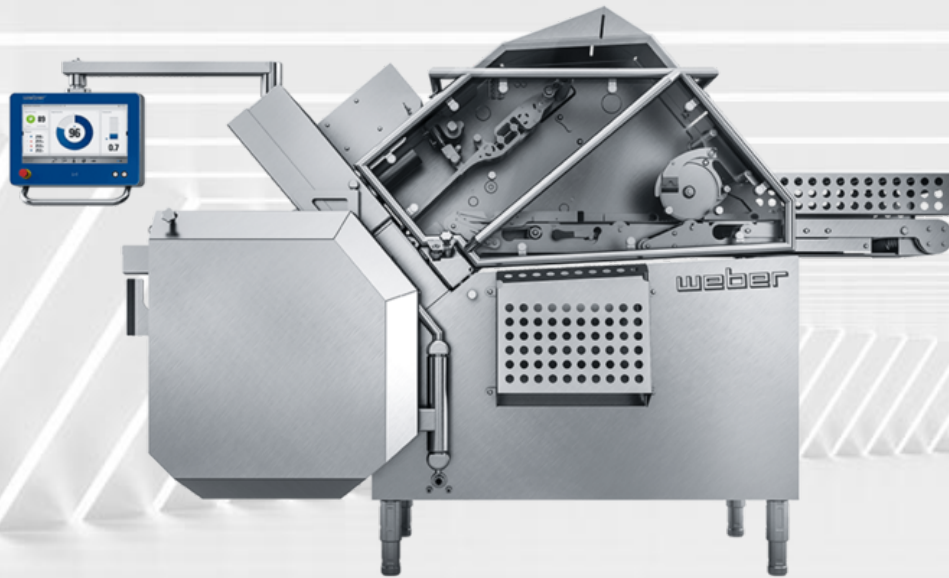


Slicer 702 CCL



Product details


This configuration includes:

- Slicer 702
- Transport conveyor


[View online](#)



Advantages

 Involute blade

 Weber Hygiene Design

 Quick set-up time

 Automatic loading

Slicer 702 CCL

Short loading times characterize the Weber Slicer 702. It masters the special challenges when slicing short products with short cycle times and an endless product flow. The involute blade system reaches performances of up to 2,000 slices per minute in idle cut operation.

Presentation



Stacked



Staggered Stack



Shingled-stack



Shingled



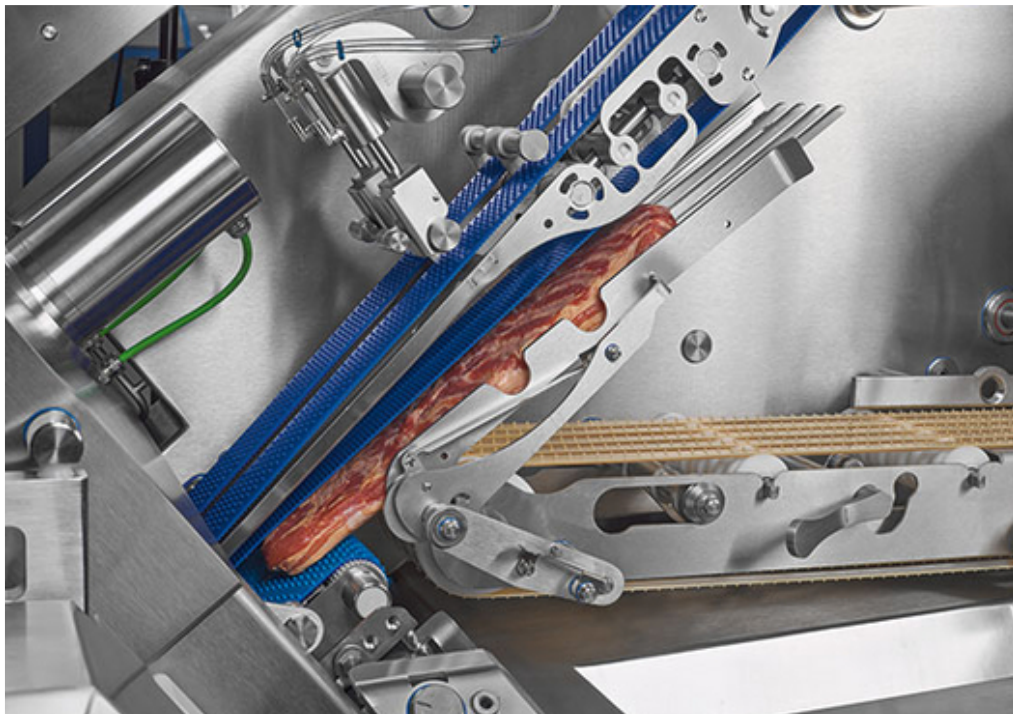
Multi-shingled



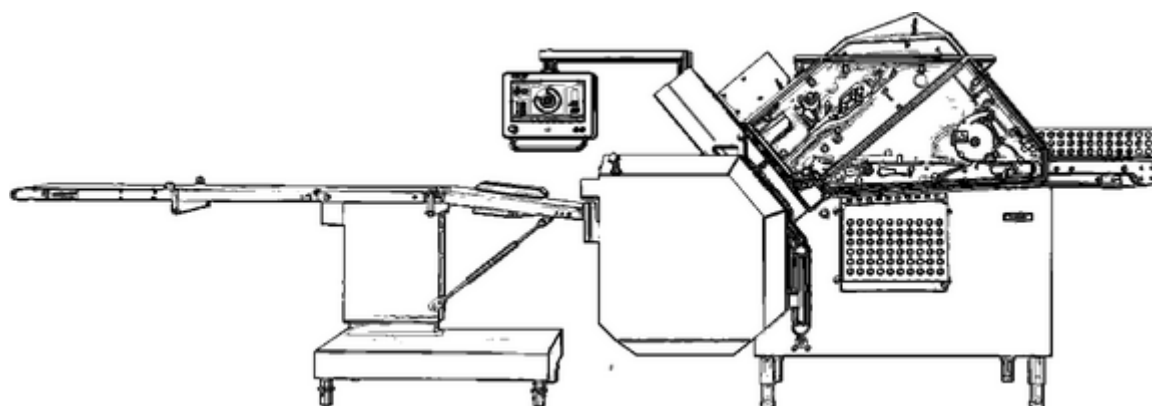
Endless-shingled



Pieces



Technical Data Slicer 702 CCL



Height (mm)	2060
Width (mm)	1700
Length (mm)	5850
Slicing speed (rpm)	max. 2000
Product throat height (mm)	100
Product throat width (mm)	300
Product length (mm)	200, endless
Slicing system	Involute blade
Slicing thickness (mm)	0.5-50
Loading (automatic/manual)	automatically

This document was generated automatically on 03/30/2023. All information is non-binding. We reserve the right to make changes in the interest of technical progress. For the latest information on this product, please visit:

<https://www.weberweb.com/portfolio/slicer/slicer-702/>

Weber means: service across the board.



Weber Academy.

Maximize line performance through professional training courses.

At the Weber Headquarter in Breidenbach, Germany, we have our own training center, the Weber Academy. Being a provider of complete line solutions, we offer training courses for your Weber Line, tailored precisely to your needs. In doing so, our focus is always on increasing efficiency and optimizing profit in your company.



Weber Guardian.

A safe plan for your production.

Only those who listen can understand. And those who understand can act. With our Weber Guardian program, we harmonize people, machines, and processes to get the most out of production. From preventive maintenance and inspection through targeted personnel development to production support and optimization.



Weber Portal.

Networked thinking, handling together.

You will find everything about your Weber equipment bundled in your personal Weber Portal. Compact, individual and interactive. From your customer profile and that of your machines to e-learning on your setup as well as convenient spare parts ordering and service offers. Are you already registered?